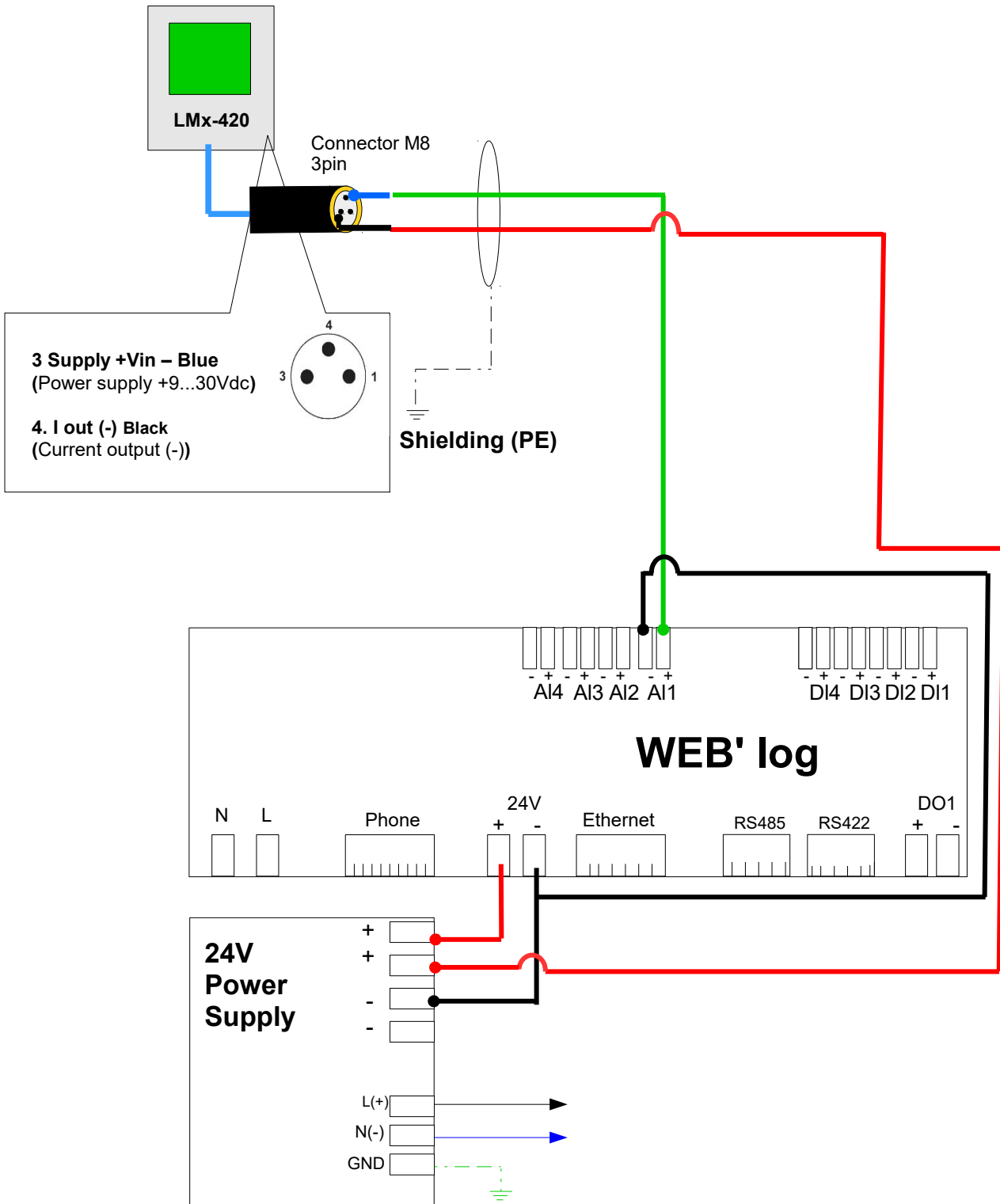


Meteoctrl. WEB'n LOG SETUP :

1. Connection PIN 4 at AI2+ - Current Output (I out -)
2. Connection pin3 with +24V of Power Supply (+Vin) (+9....30 Vdc)
3. For LM2-420PRO, set OFFSET – 300 and GRADIENTE + 75
4. For LM1-420PRO find values based on single sensitivity (or call)



Example connection of LMX-420 PRO with WEB'log